

SKY-H HERO

THE HERO FACTORY



Motor Wedges

Instruction Manual

CONGRATULATIONS!

You have just purchased a **SKY-HERO Little Spyder «motor wedges kit»**. We hope that it will provide you lots of fun during your many flights. This manual will help you to complete the installation and to find the references of the parts needed.



WARNING :

Read all of the instruction manual to familiarize yourself with the characteristics of the product before operating. Improper use of the product can cause its deterioration and risk of damage or injury.

This is a sophisticated leisure product. It must be handled with caution and common sense and requires basic mechanical skills. Any irresponsible use of this product not complying with not security principles can cause injuries, cause property damage and - damage the product. This product is not intended to be used by children without supervision direct of an adult. This manual contains instructions for safety, operation and maintenance. It is essential to read and follow all of the instructions and warnings of manual before assembly, setting and use, in order to properly handle the appliance to avoid damage or serious injury.



14 years and older. This is not a toy.

Precautions and guidelines related to security

- Always keep an adequate safe distance in all directions around the device in order to avoid the risk of collision or injury. This unit is controlled by radio signal and may be subject to interference from many sources outside your control. Interference can cause momentary loss of control.
- Always use the device in open spaces, away from the vehicles, traffic and individuals.
- Always carefully follow the instructions and warnings on the unit and to all used optional additional equipment (Chargers, packs of rechargeable batteries, etc.).
- Keep chemicals, small parts and electrical components out of reach of children.
- Do not expose to water all equipment designed and protected for this purpose. Moisture damage the electronic components.
- Never put any part of the appliance in your mouth. You will be exposed to serious injury or even death.
- Never use the appliance when the batteries of the transmitter are almost empty.
- Always keep the multicopter in view and under control.
- Always lower the throttle stick when the blades touch an object or the ground.
- Always use fully charged batteries.
- Never turn off the transmitter when the unit is powered.
- Always remove the batteries before dismantling the instrument.
- Always clean the moving parts.
- Always dry the parts of the appliance.
- Always cool the parts before touching.
- Always remove batteries after use.
- Never use the appliance when the cables are damaged
- Never touch moving parts.

TABLE OF CONTENTS

| | |
|---|---------|
| • Introduction. | page 2 |
| • Tools needed. | page 4 |
| • Hardware components. | page 5 |
| • 1. Motor assembly. | page 6 |
| • 2. Identify the supports (front and rear). | page 8 |
| • 3. Assemble the motor wedges. | page 9 |
| • 4. Select your angle. | page 10 |
| • 5. Mount the supports on your motor frames. | page 11 |
| • 6. Apply Loctite from the top. | page 12 |
| • Listing and parts references. | page 13 |
| • Limited Warranty | page 14 |
| • Contact | page 15 |

TOOLS NEEDED

- 2 mm hex wrench
- 2.5 mm hex wrench
- 3 mm hex wrench
- 7 mm wrench
- Blue thread (Loctite)

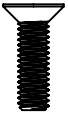
HARDWARE COMPONENTS



Button Head screw M3 X 6mm



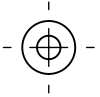
Button Head screw M3 X 10mm



Flat Head screw M4 X 14mm



Hex Nut Nylstop M4



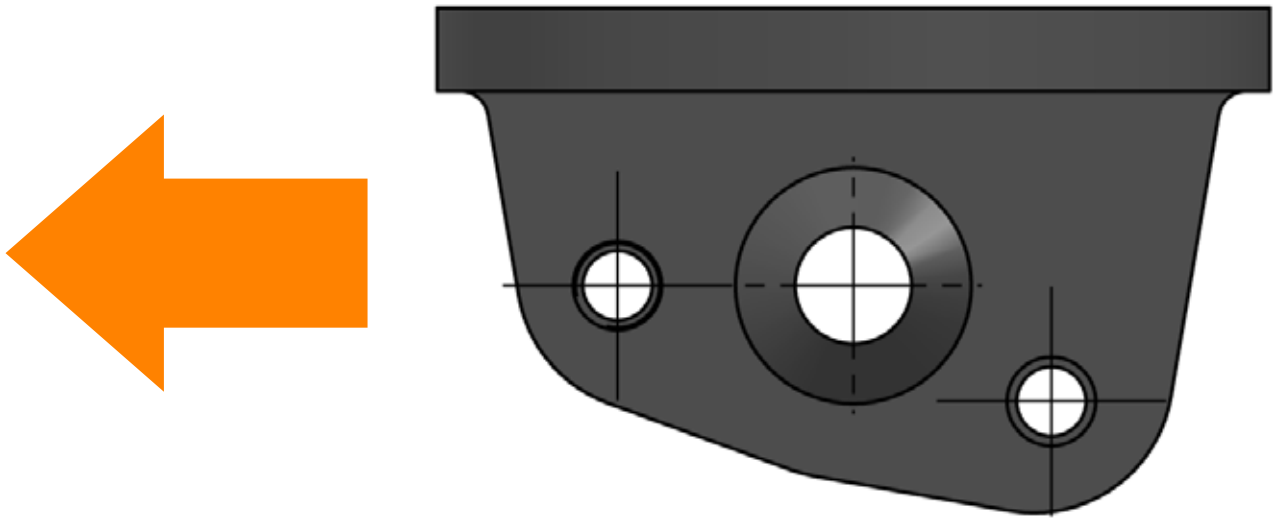
Washer M3



Socket Head Screw M3 X 10mm

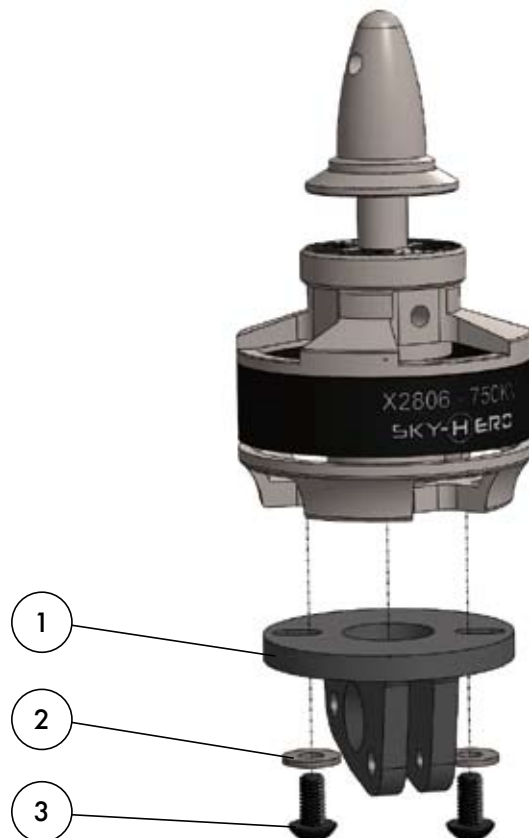
I. MOTOR ASSEMBLY.

- First identify the frontside of the metal support

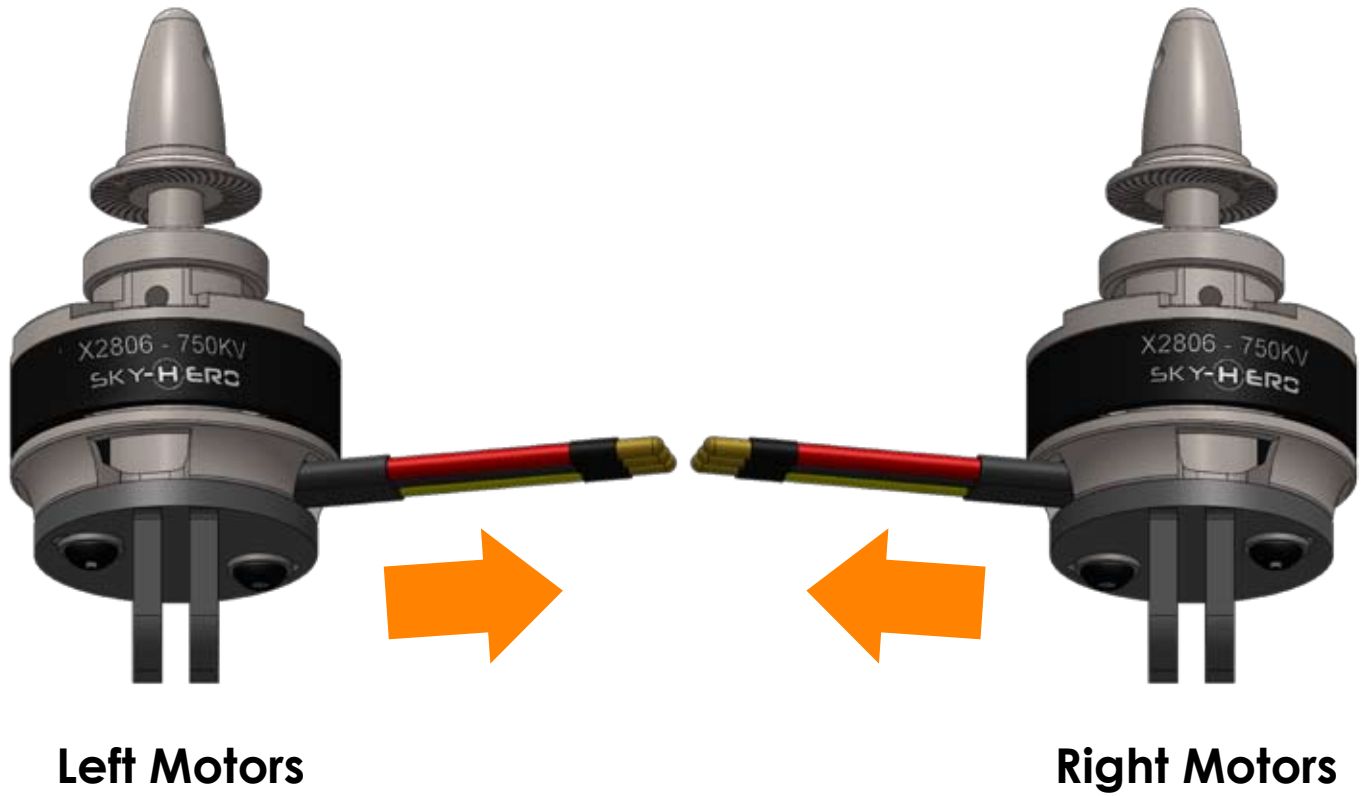


You fly this way

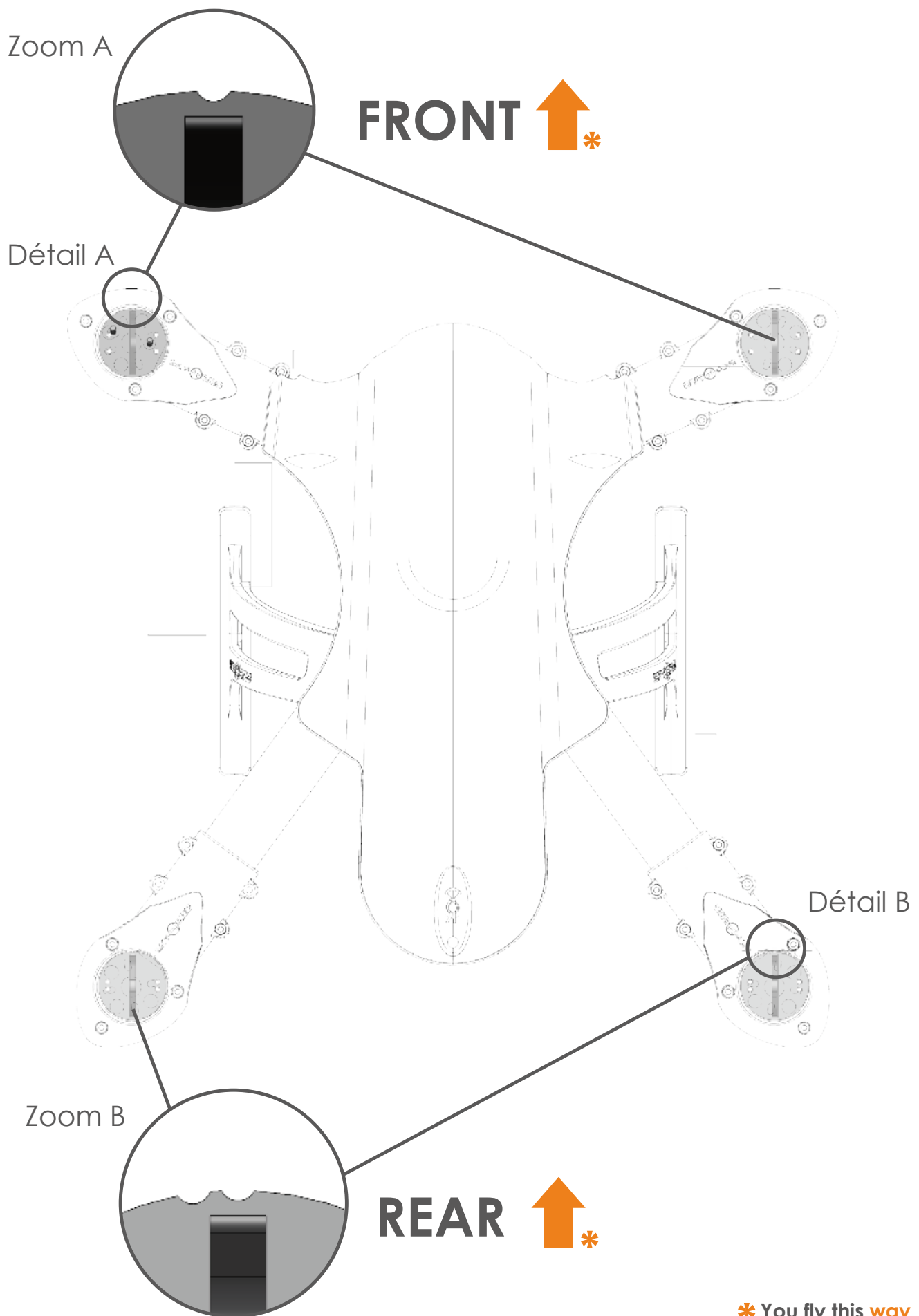
- Then attach your motor using M3 washers (N°2), M3 X 6MM screws (N°3) and Loctite :



- Note : 2 motors should have the wires routed to the rear left side and 2 motors with the cables to the rear right side.



2. IDENTIFY THE FRONT AND REAR SUPPORTS.

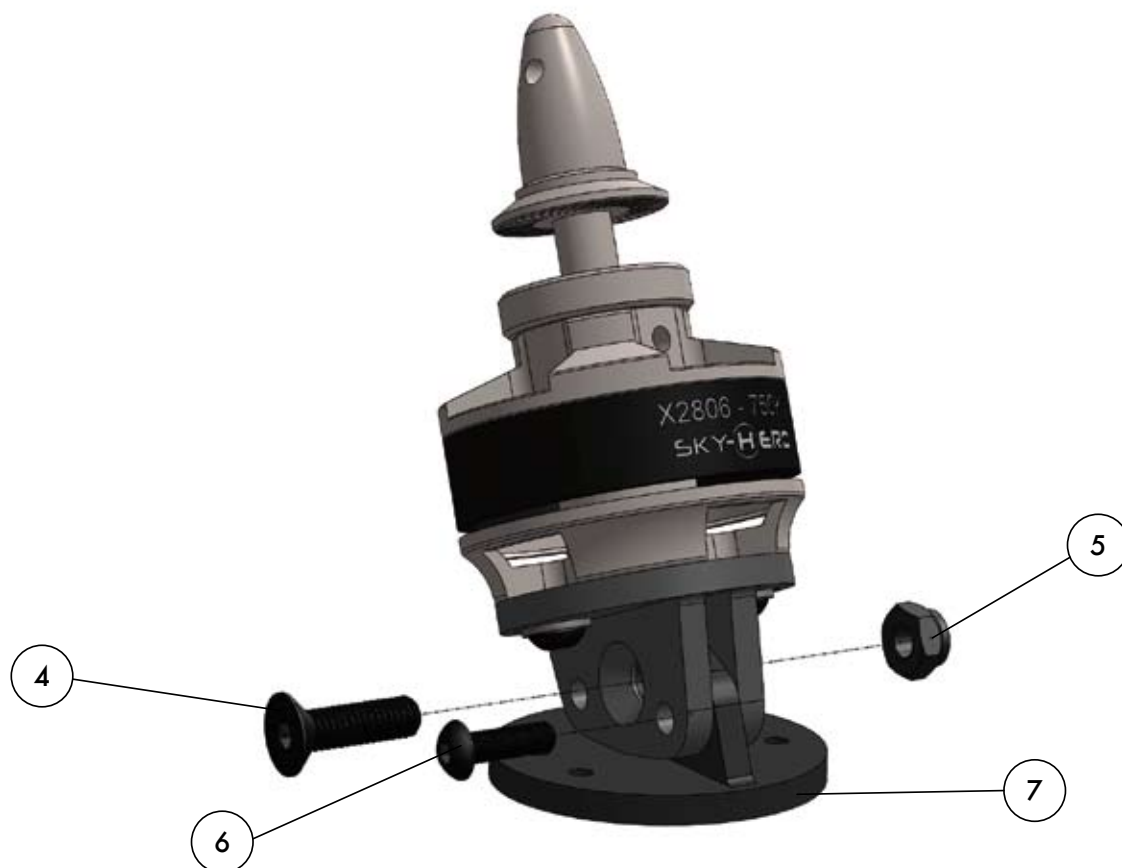


* You fly this way

3. ASSEMBLY THE MOTOR WEDGES

- Assemble one motor with wires to the left and one with wires to the right on **front** supports and repeat that operation on **rear** supports. Use the flat head screw M4 X 14mm (N° 4) and the M4 nut (N°5).

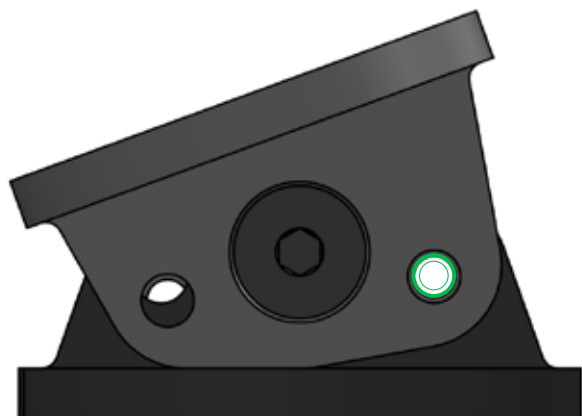
Note : Do not tight it completely.



4. SELECT YOUR ANGLE.

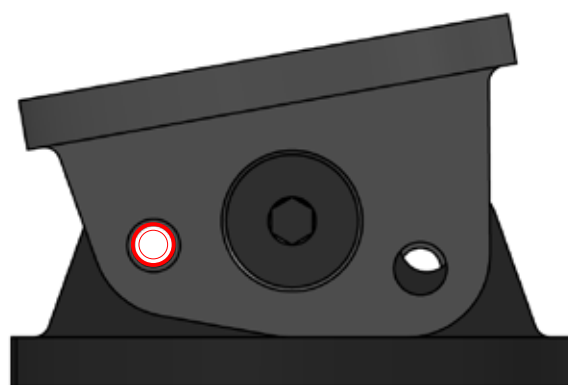
- Use the button head screw M3 X 10mm (N°6) to secure position (use Loctite).
- Now you can tight the center main screw (N°4)

20°



Use this hole

10°

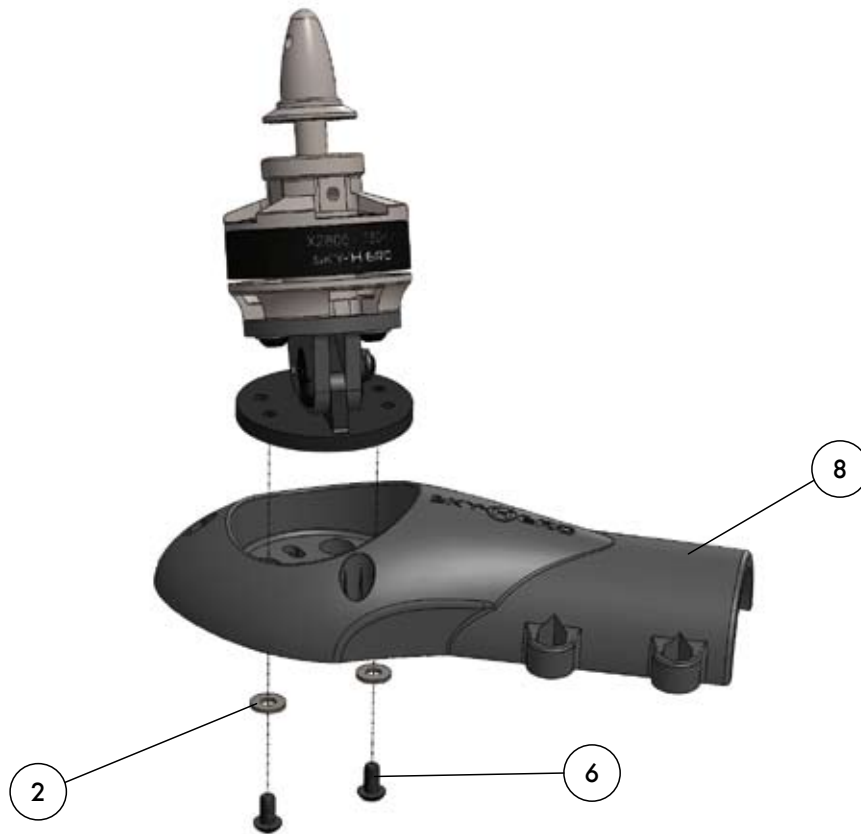


Use this hole

5. MOUNT THE SUPPORTS ON YOUR MOTOR FRAME.

- Use the button head screw M3 X 10mm (N°6) and the washer M3 (N°2).

Note : Do not use Loctite on screws or mounts now to avoid any contact between loctite and plastic.
See page 12 for how to apply Loctite

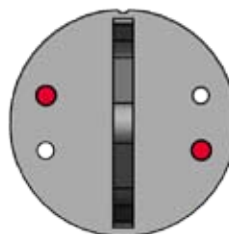


- Use the **red holes** to mount your wedges on the motor frame :

Font Left



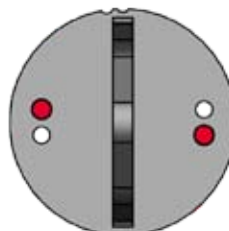
Font Right



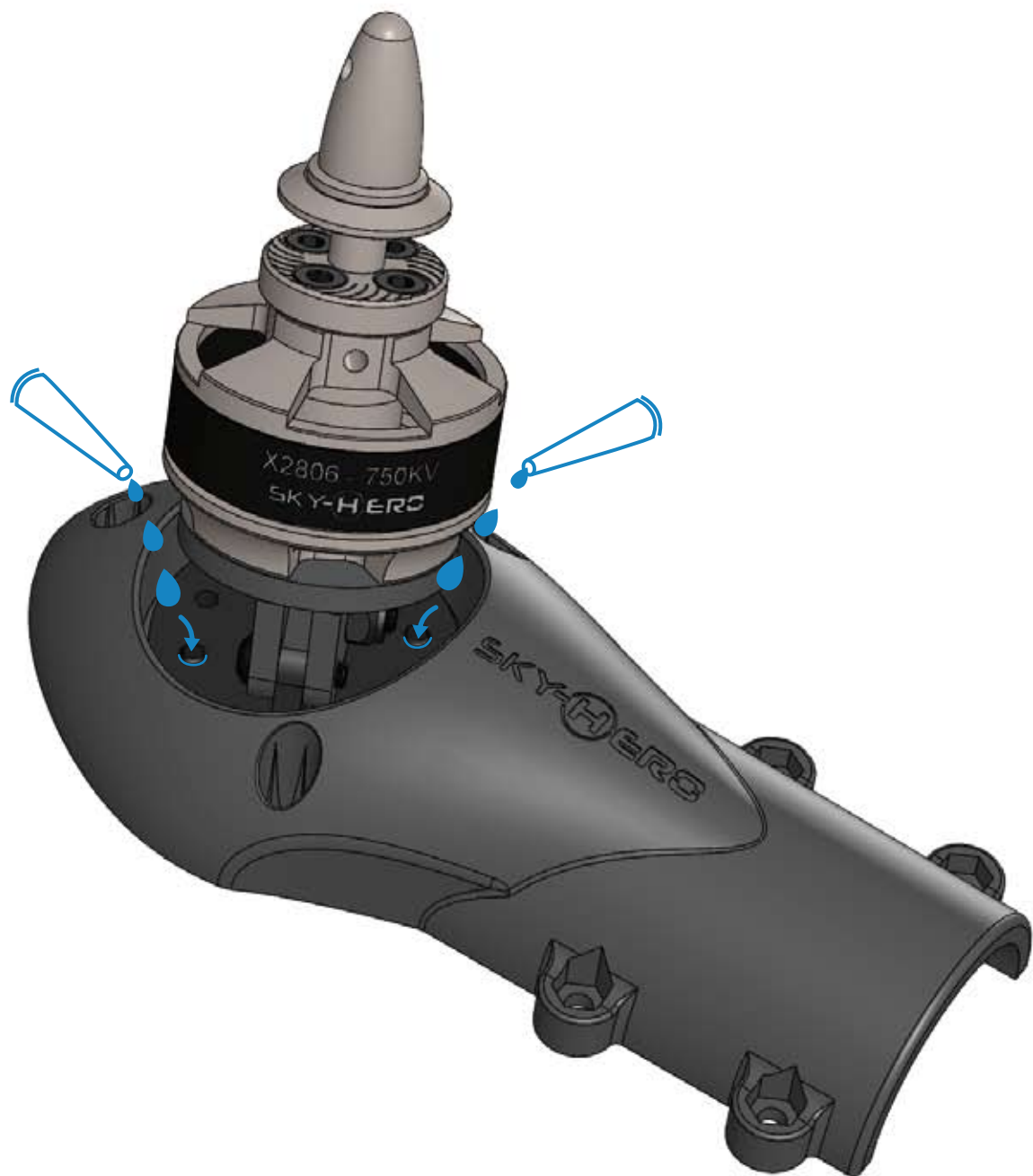
Rear Left



Rear Right



6. APPLY LOCTITE FROM THE TOP



LISTING AND PARTS REFERENCES

| N° | DESCRIPTION | PART NUMBER |
|-----------|---------------------------------|--------------------|
| 1 | MOTOR WEDGE UP | SKH08-45 |
| 2 | WASHER M3 | SKH08-45 |
| 3 | BUTTON HEAD SCREW M3 X 6MM | SKH08-45 |
| 4 | FLAT HEAD SCREW M4 X 14MM | SKH08-45 |
| 5 | HEX NUT NYLSTOP | SKH08-45 |
| 6 | SOCKET HEAD SCREW M3 X 10MM | SKH08-45 |
| 7 | MOTOR WEDGE DOWN FRONT AND REAR | SKH08-45 |
| 8 | MOTOR FRAME BLACK | SKH01-005-BK |

LIMITED WARRANTY

What this Warranty Covers

SKY HERO warrants to the original purchaser that the product purchased (the «Product») will be free from defects in materials and workmanship at the date of purchase.

What is Not Covered

This warranty is not transferable and does not cover (i) cosmetic damage, (ii) damage due to acts of God, accident, misuse, abuse, negligence, commercial use, or due to improper use, installation, operation or maintenance, (iii) modification of or to any part of the Product, (iv) attempted service by anyone other than a **SKY HERO** authorized service center, (v) Product not purchased from an authorized **SKY HERO** dealer, or (vi) Product not compliant with applicable technical regulations.

OTHER THAN THE EXPRESS WARRANTY ABOVE, **SKY HERO** MAKES NO OTHER WARRANTY OR REPRESENTATION, AND HEREBY DISCLAIMS ANY AND ALL IMPLIED WARRANTIES, INCLUDING, WITHOUT LIMITATION, THE IMPLIED WARRANTIES OF NON-INFRINGEMENT, MERCHANTABILITY AND FITNESS FOR A PARTICULAR PURPOSE. THE PURCHASER ACKNOWLEDGES THAT THEY ALONE HAVE DETERMINED THAT THE PRODUCT WILL SUITABLY MEET THE REQUIREMENTS OF THE PURCHASER'S INTENDED USE.

Purchaser's Remedy

SKY HERO's sole obligation and purchaser's sole and exclusive remedy shall be that **SKY HERO** will, at its option, either (i) service, or (ii) replace, any Product determined by **SKY HERO** to be defective. **SKY HERO** reserves the right to inspect any and all Product(s) involved in a warranty claim. Service or replacement decisions are at the sole discretion of **SKY HERO**. Proof of purchase is required for all warranty claims.

SERVICE OR REPLACEMENT AS PROVIDED UNDER THIS WARRANTY IS THE PURCHASER'S SOLE AND EXCLUSIVE REMEDY.

Limitation of Liability

SKY HERO SHALL NOT BE LIABLE FOR SPECIAL, INDIRECT, INCIDENTAL OR CONSEQUENTIAL DAMAGES, LOSS OF PROFITS OR PRODUCTION OR COMMERCIAL LOSS IN ANY WAY, REGARDLESS OF WHETHER SUCH CLAIM IS BASED IN CONTRACT, WARRANTY, TORT, NEGLIGENCE, STRICT LIABILITY OR ANY OTHER THEORY OF LIABILITY, EVEN IF **SKY HERO** HAS BEEN ADVISED OF THE POSSIBILITY OF SUCH DAMAGES.

Further, in no event shall the liability of **SKY HERO** exceed the individual price of the Product on which liability is asserted. As **SKY HERO** has no control over use, setup, final assembly, modification or misuse, no liability shall be assumed nor accepted for any resulting damage or injury. By the act of use, setup or assembly, the user accepts all resulting liability. If you as the purchaser or user are not prepared to accept the liability associated with the use of the Product, purchaser is advised to return the product immediately in new and unused condition to the place of purchase.

Questions, Assistance, and Services

Your local hobby store and/or place of purchase cannot provide warranty support or service. Once assembly, setup or use of the Product has been started, you must contact your local distributor or **SKY HERO** directly. This will enable **SKY HERO** to better answer your questions and service you in the event that you may need any assistance. For questions or assistance, please visit our website at www.sky-hero.com, submit a Product Support Inquiry, or call the toll free telephone number referenced in the Warranty and Service Contact Information section to speak with a Product Support representative.

Inspection or Services

If this Product needs to be inspected or serviced and is compliant in the country you live and use the Product in, please use the **SKY HERO** Online Service Request submission process found on our website or call **SKY HERO** to obtain a Return Merchandise Authorization (RMA) number. Pack the Product securely using a shipping carton. Please note that original boxes may be included, but are not designed to withstand the rigors of shipping without additional protection. Ship via a carrier that provides tracking and insurance for lost or damaged parcels, as **SKY HERO** is not responsible for merchandise until it arrives and is accepted at our facility. When calling **SKY HERO**, you will be asked to provide your complete name, street address, email address and phone number where you can be reached during business hours. When sending product into **SKY HERO**, please include your RMA number, a list of the included items, and a brief summary of the problem. A copy of your original sales receipt must be included for warranty consideration. Be sure your name, address, and RMA number are clearly written on the outside of the shipping carton.

Warranty Requirements

For Warranty consideration, you must include your original sales receipt verifying the proof of purchase date. Provided warranty conditions have been met, your product will be serviced or replaced free of charge. Service or replacement decisions are at the sole discretion of **SKY HERO**.

Non-Warranty Service

Should your service not be covered by warranty, service will be completed and payment will be required without notification or estimate of the expense unless the expense exceeds 50% of the retail purchase cost. By submitting the item for service you are agreeing to payment of the service without notification. Service estimates are available upon request. You must include this request with your item submitted for service. Non-warranty service estimates will be billed a minimum of 1/2 hour of labor. In addition you will be billed for return freight. **SKY HERO** accepts money orders and cashier's checks, as well as Visa, MasterCard, American Express, and Discover cards. By submitting any item to **SKY HERO** for service, you are agreeing to **SKY HERO's** Terms and Conditions found on our website [http:// www.sky-hero.com](http://www.sky-hero.com).

ATTENTION: SKY HERO service is limited to Product compliant in the country of use and ownership. If received a non-compliant product will not be serviced. Further, the sender will be responsible for arranging return shipment of the unserviced Product, through a carrier of the sender's choice and at the sender's expense. SKY HERO will hold non-compliant Product for a period of 60 days from notification, after which it will be discarded.

CONTACT

SKY-HERO

42, rue des Vétérinaires,
1070 Anderlecht. Belgique.

SAV@sky-hero.com
+32(0)23301845